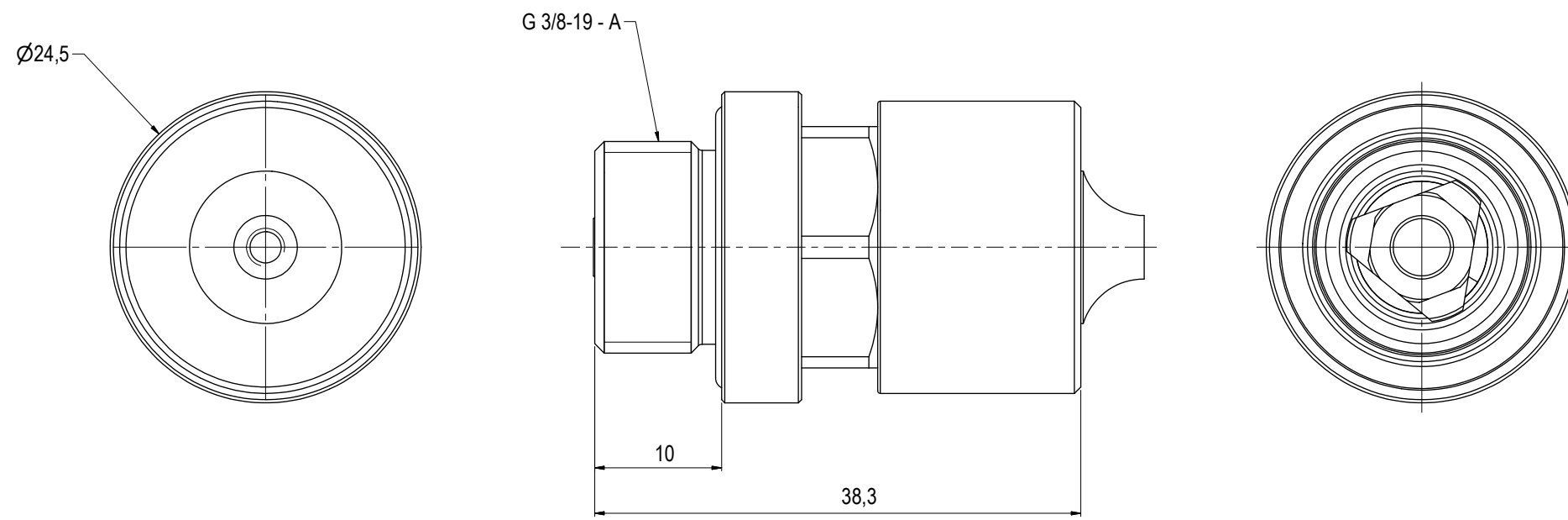


NOTE: 1
 DESIGN CODE:
 N/A

NOTE: 2
 TECHNICAL CLASSIFICATION:
 Article Type: 007-Valves
 Main Group: 7.01. One Way Valves
 Intermediate Group: 7.39.02. 3/8"
 Sub Group: 7.39.88.01. 0-2 Bar

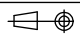
NOTE: 3
 INTERFACE INFORMATION:
 Pressure Rating Bar: N/A
 Material: Intervention
 Weight: 0,1 kg
 Volume: 0,01 dm³
 Surface Area: 105 cm²
 Hydraulic: 3/8" BSP
 Mechanical: N/A
 Electrical: N/A
 Com. & Protocol: N/A



Rev.	Date	Reason for issue	Revision change	Made	Chk'd	Appr.
01	4.12.2017	9-IFU (Issued for Use)		WTJ	LGH	WTJ

BLUE LOGIC 

This Drawing is the Property of Blue Logic AS © and must Not be Loaned, Reproduced or Transferred to others without written Permission

Dwg Scale: NTS
 Dwg Proj: 
 Dwg Format: A3

Drawing title: Relief Valve 3/8" BSP wSafety Cap
 Drawing number: BB1036
 Rev: 01